

Competitor

Ultra Light Plus, Semi Electric Bed

Item # 15560

Owner's Assembly And Operating Manual



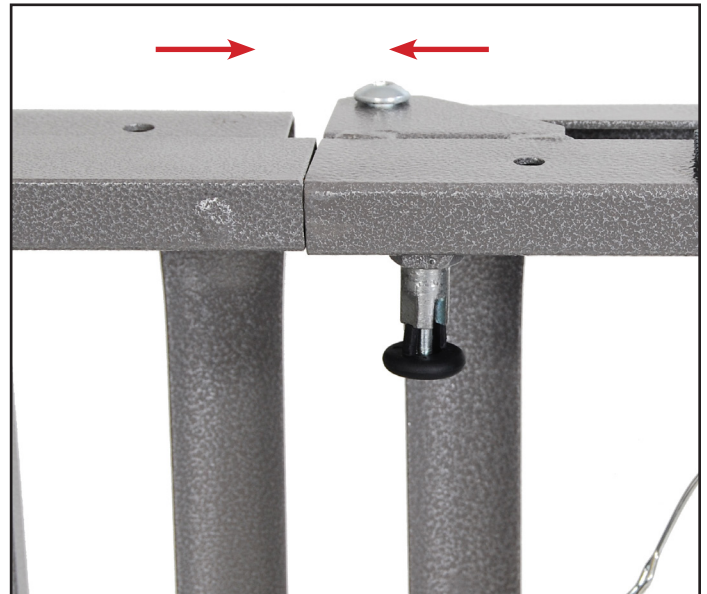
drive™

Assembly Instructions

1. Remove contents from carton.
2. Place both ends of the sleep surface on their side and align the flange with the receptacle as shown.



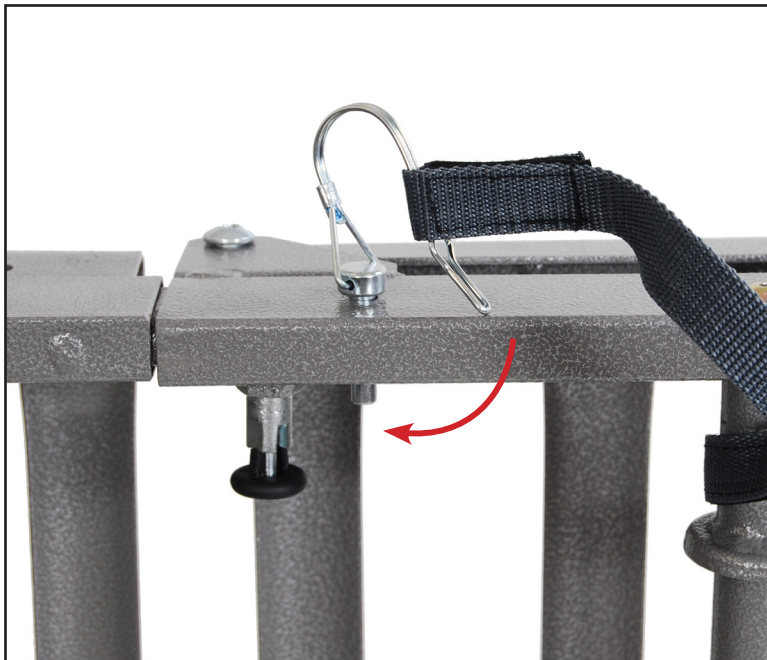
3. To attach the head and foot spring, pull the black knob away for the frame and slide the two sides together. The lock knob is spring loaded and will lock into position when released and the two sections of the bed are flush together.



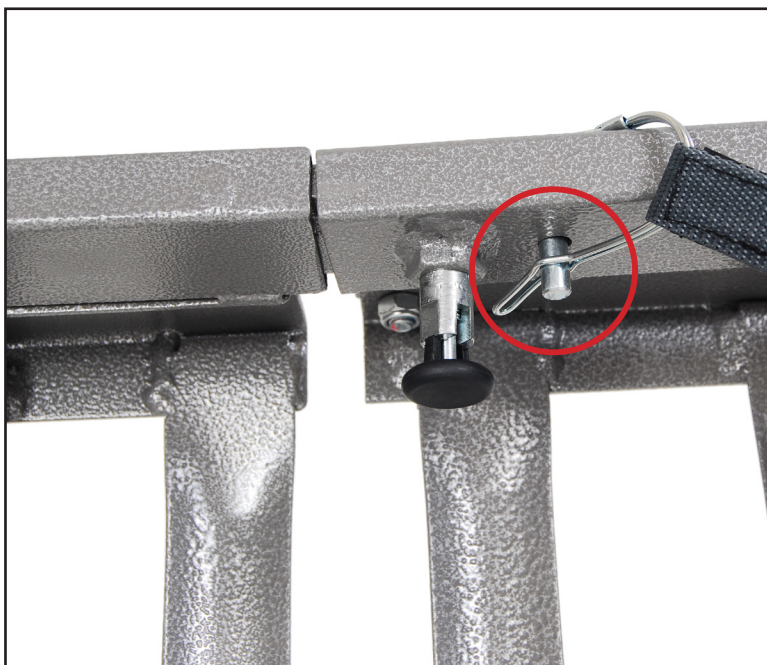
To disassemble the head and foot section, pull the black lock knob out and rotate the knob a quarter turn. The lock knob will remain open to allow the head section to be removed from the foot section.

Assembly Instructions Cont.

- Secure the sleep surface with the cotter pin as shown.



- Lock the cotter pin with the attached clasp. Repeat on the opposite side.



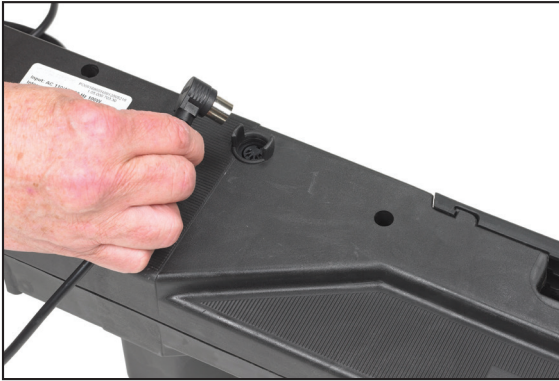
Assembly Instructions Cont.



HAND CONTROL

The Competitor bed comes with a hand control that will illuminate when the bed is plugged into a grounded or polarized wall outlet, or with 9V battery (not included) installed in the hand control. The hand control will illuminate as long as the wall or battery has power. With this battery installed, the motor can be operated to return the sleep surface to the horizontal position in the event of a power failure.

6. NOTE: Before installing motor, plug hand pendant cable into motor as shown



7. To install motor, remove locking caps on top of the motor.



Assembly Instructions Cont.

There are two methods for the installation of the motor

Method A

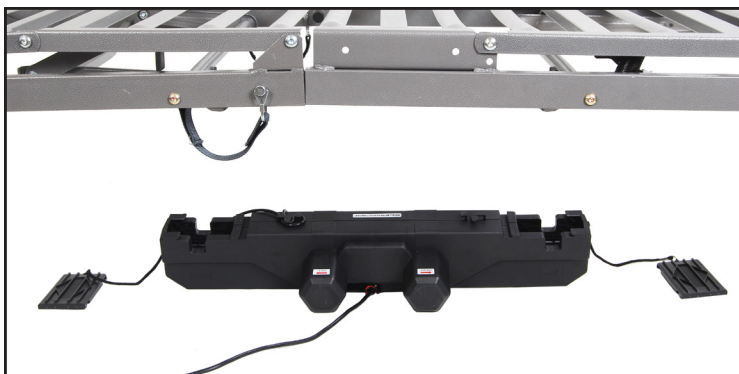
The motor is installed on the bed frame when the frame is standing on its side.



Installation instructions can be found on pages 7-8.

Method B

The motor is installed from underneath the bed frame (horizontal to the ground)



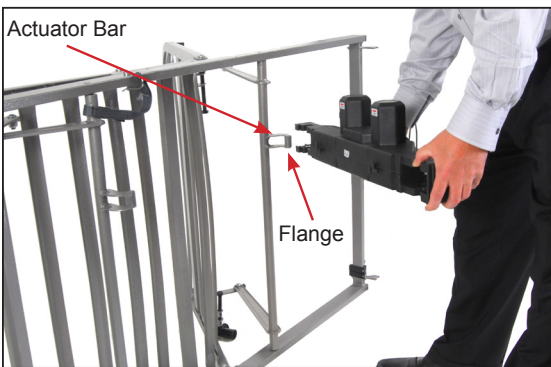
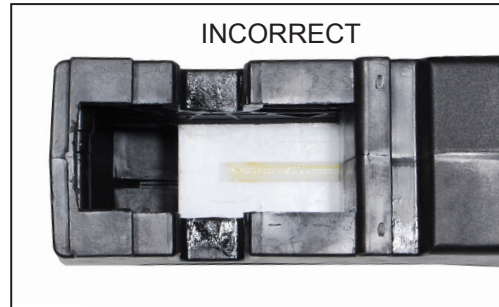
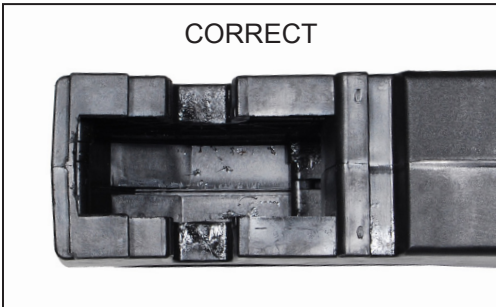
Installation instructions can be found on pages 10-11.

Assembly Instructions Cont.

Method A

Installation of the motor when bed frame is on its side

A1. Prior to installation, make sure that the 2 white motor blocks are in the retracted position.



A2. Align the opening on the head end of the motor with the flange on the head section of the bed and insert the flange into the motor compartment.



A3. With the palm of your hand, snap the motor flush to the actuator bar.



A4. Align the opening on the foot end of the motor with the flange on the foot section of the bed and insert the flange into the motor compartment.

A5. With the palm of your hand, snap the motor flush to the actuator bar.

Assembly Instructions Cont.

A6. Once in place, replace the motor covers to secure the motor.



A6. Once the motor is attached, lay bed flat and install head and foot boards. There are 2 height adjustments on the head and foot board. Select the desired positions and hook the frame onto the foot board. Slide lock towards leg of foot board to secure position as shown. Repeat for opposite side.

HEIGHT ADJUSTMENT

9. The Competitor bed deck has two height adjustments.

10. Adjustment one is located on the frame as indicated below. There is a high position and a low position.

11. Adjustment two is on the leg of the head and foot board. To adjust, loosen the thumb screw on the leg and pull on the spring loaded knob with one hand and slide the leg to the desired height with the other hand. Once the desired position is found, turn the thumb screw until tight. Adjust other legs to the same position.



Assembly Instructions Cont.

The chart below indicates the height adjustments as they relate to the two adjustment options.

Deck Height (inches)	Deck Height Pins	Leg Hole	Wheels
11*	Lower	Low	No
13.125	Upper	Low	No
14	Lower	Low	Yes
14.152	Lower	Middle	No
16.125	Upper	Low	Yes
16.25	Upper	Middle	No
17.152	Lower	Middle	Yes
17.875	Lower	High	No
19.25	Upper	Middle	Yes
20	Upper	High	No
20.875	Lower	High	Yes
23	Upper	High	Yes

*Rails cannot be used at this height.



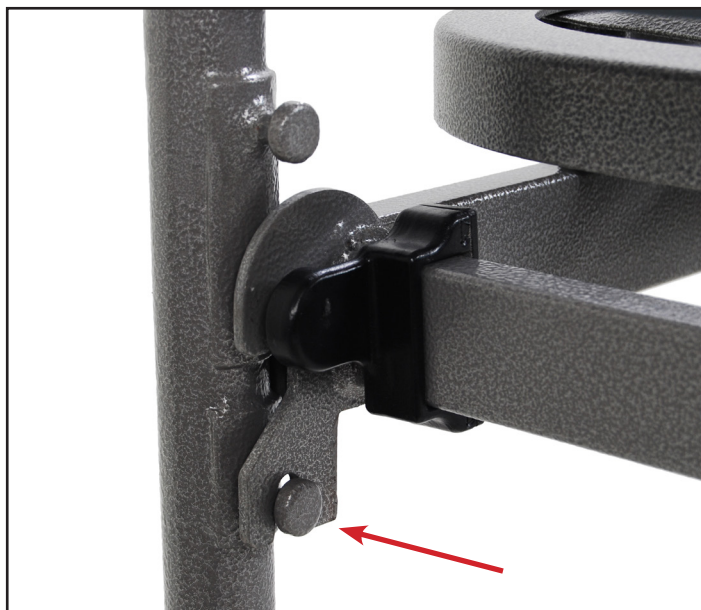
End Method A

Assembly Instructions Cont.

Method B

Installation of the motor from underneath the frame

B1. Attached head a foot board to frame.

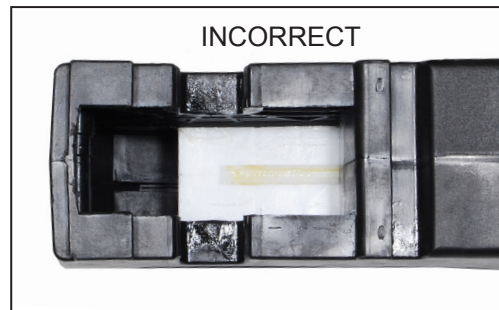
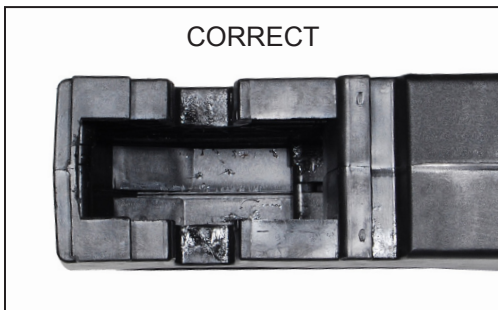


B2. Repeat for the other side.

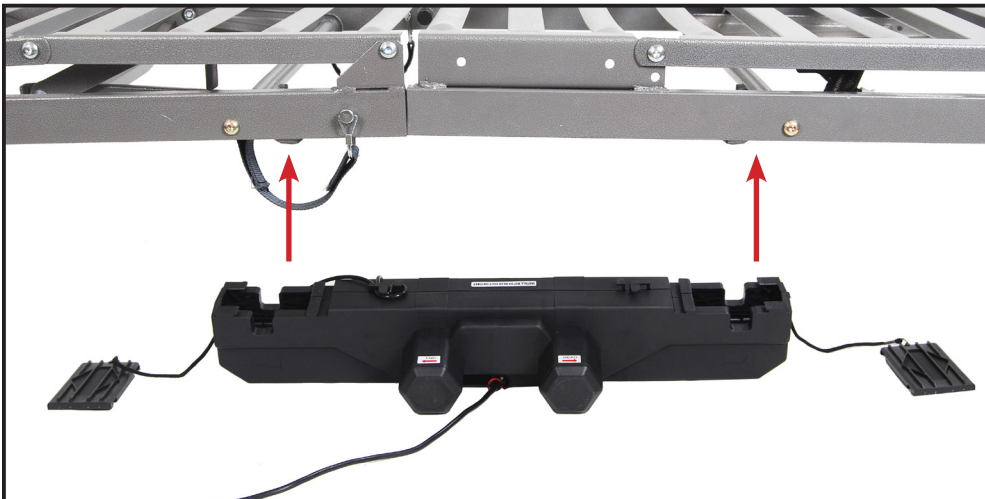


Assembly Instructions Cont.

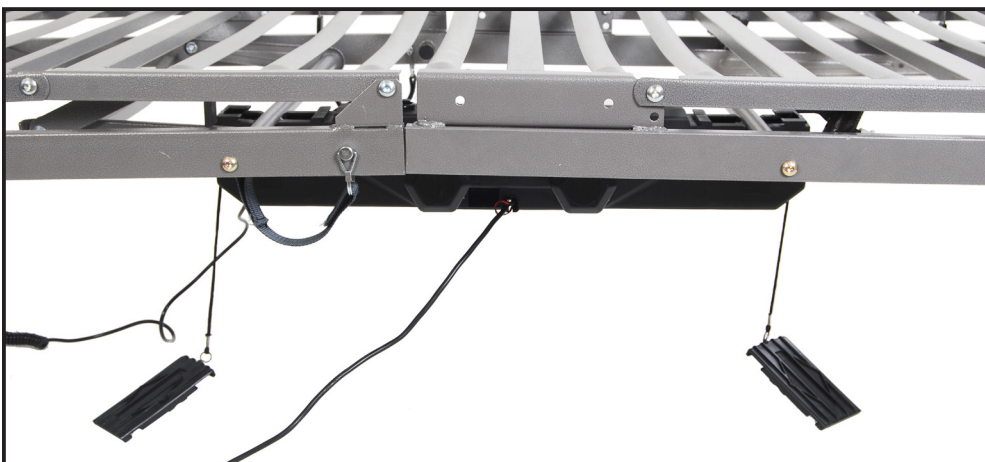
B3. Prior to installation, make sure that the 2 white motor blocks are in the retracted position.



B4. Remove the covers from the motor and place under the bed and aligned with the actuator under the head section. There are labels on the motor that provide direction and placement in relation to the head section.



B5. With both hands, lift the motor and insert into the actuator and frame as shown. With the palm of your hand snap the motor flush to actuator bar.



Assembly Instructions Cont.



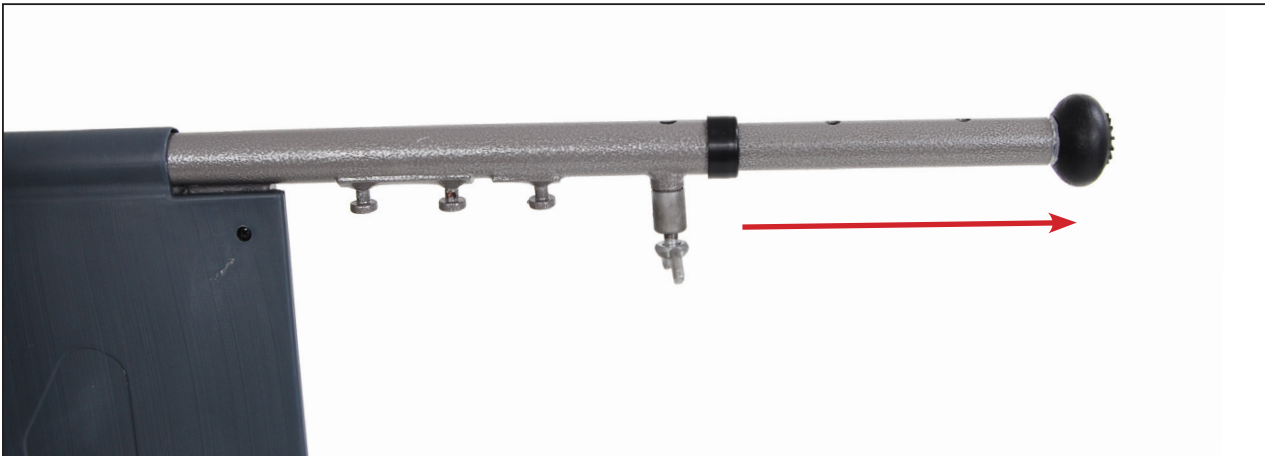
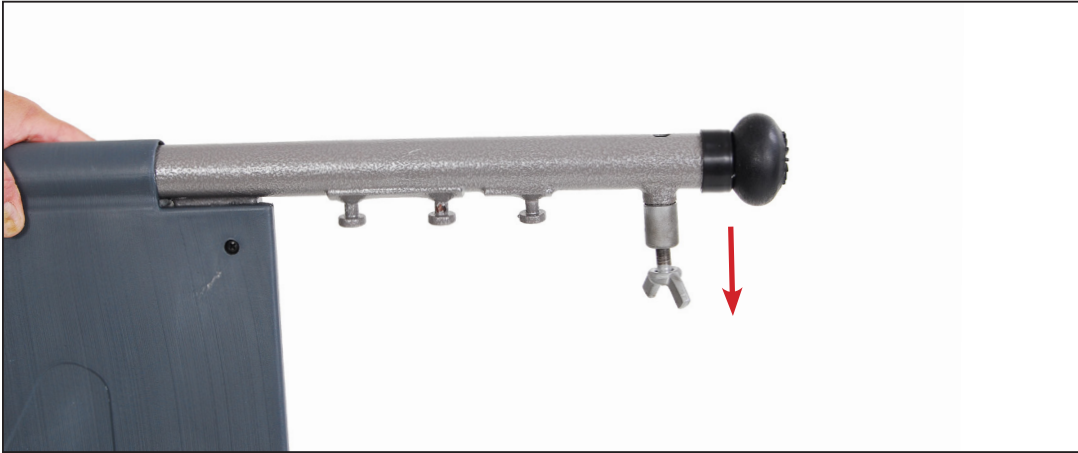
B6. Once in place, replace the motor covers to secure the motor.



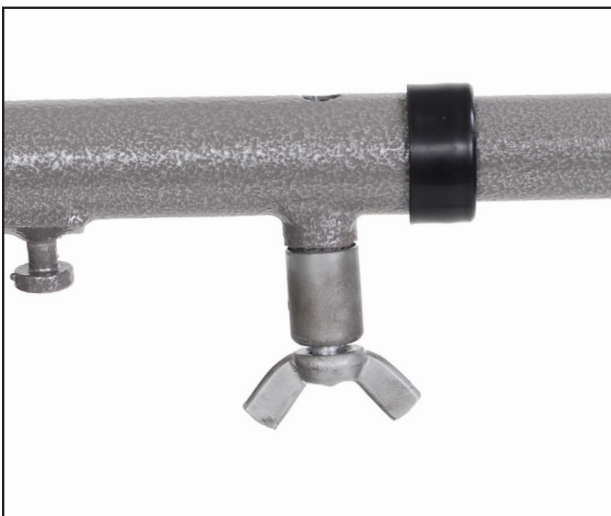
End Method B

Assembly Instructions Cont.

12. Adjustment two is on the leg of the head and foot board. To adjust, loosen the thumb screw on the leg and pull on the spring loaded knob with one hand and slide the leg to the desired height with the other hand.



Once the desired position is found, turn the thumb screw until tight. Adjust other legs to the same position.

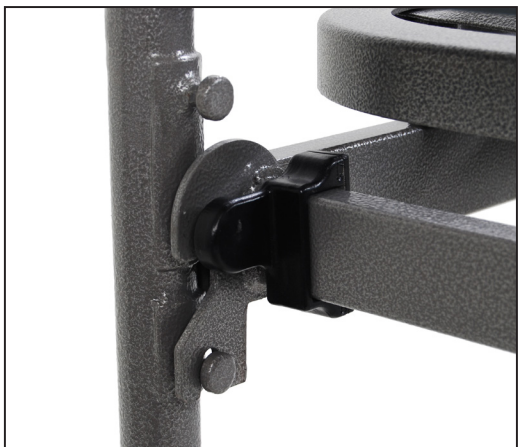


Assembly Instructions Cont.

HEIGHT ADJUSTMENT

13. The Competitor bed deck has two height adjustments.

13A. Adjustment one is located on the frame as indicated below. There is a high position and a low position.



The chart below indicates the height adjustments as they relate to the two adjustment options.

Deck Height (inches)	Deck Height Pins	Leg Hole	Wheels
11*	Lower	Low	No
13.125	Upper	Low	No
14	Lower	Low	Yes
14.152	Lower	Middle	No
16.125	Upper	Low	Yes
16.25	Upper	Middle	No
17.152	Lower	Middle	Yes
17.875	Lower	High	No
19.25	Upper	Middle	Yes
20	Upper	High	No
20.875	Lower	High	Yes
23	Upper	High	Yes

*Rails cannot be used at this height.

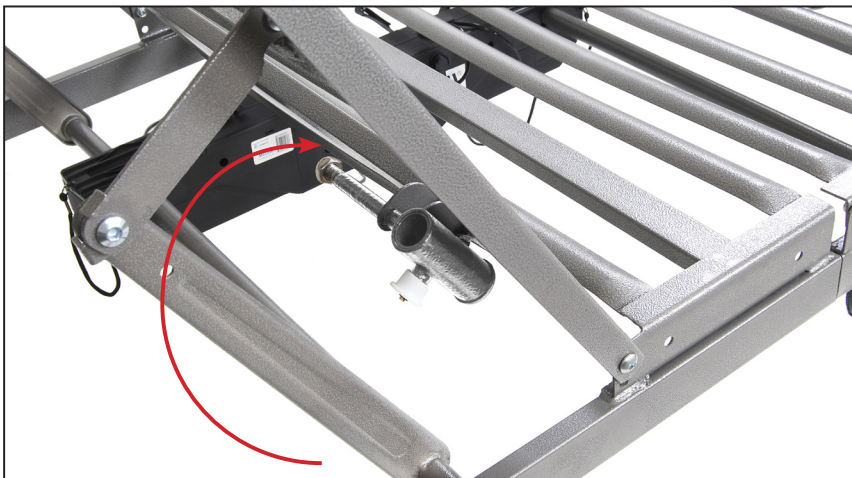
Assembly Instructions Cont.

14. The Competitor bed comes with a caster accessory (sold separately, model # 15044SET). To install the casters, insert the stem of the caster into the leg receptacle as shown. It is recommended to install 1 non-locking caster on each bed end. The locking casters should be installed diagonally from each other.

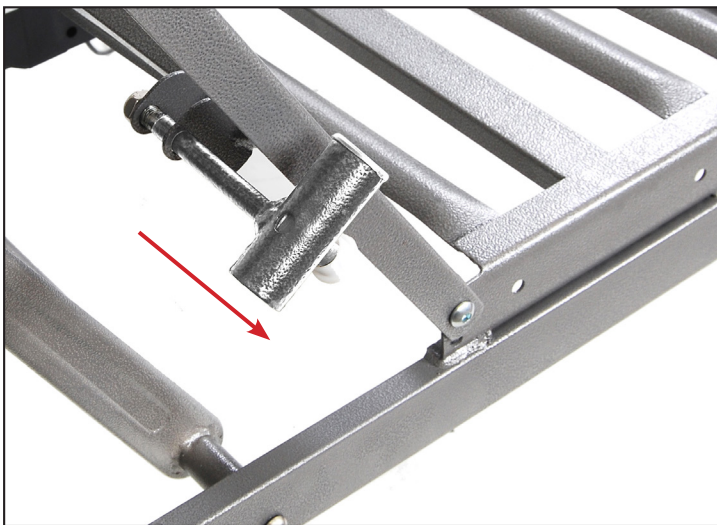


Assembly Instructions Cont.

15. To install bed rails, lift the head section and find the rail receptacle located on the frame of the bed as shown.



16. Pull receptacle outward and return head section to the flat position.



17. Turn the receptacle in order to receive the rail. Repeat for all four rail receptacles.



Assembly Instructions Cont.

18. Insert the bed rail into the receptacle. Repeat for the other rail.



NOTE: The competitor bed can be used with a free standing trapeze or a Drive Medical frame mounted trapeze (Item # 15560TRAPEZE). A trapeze cannot be mounted on the Competitor head board.

Maintenance & Safety Checks

Drive recommends the following maintenance and cleaning procedures be conducted between users.

ELECTRONICS

- Check all controls to make sure all functions work properly.
 - Foot control
 - Head control
- Check all cables for damaged or frayed wires.
 - Power cord
 - Pendant cord
- Check to make sure all plugs are fully inserted or attached.
- Check 9V battery on motor and hand control and replace annually.

BED FRAME & SLEEPING SURFACE

- Visually check all welds.
 - Head section
 - Foot section
 - Main Frame
- Check joints between sleeping surface sections for loose fasteners.

CLEANING

- The metal parts of the bed are covered with a powder coating. The bed can be power washed. Clean all coated parts with mild detergent and warm water. Periodically raise head and foot sections of the bed and remove dust from frame. Also, periodically remove mattress and clean mattress deck.

WARRANTY

- Lifetime warranty on welds.
- 5 year warranty on frame.
- 5 year warranty on motor.
- 5 year on hand control.
- 1 year warranty on all other parts and components.

During the warranty period, defective items will be replaced at Drive's option at no charge.



99 Seaview Boulevard
Port Washington, NY 11050

Phone: 516-998-4600

Toll Free: 877.224.0946

Fax: 516.998.4601

www.drivemedical.com